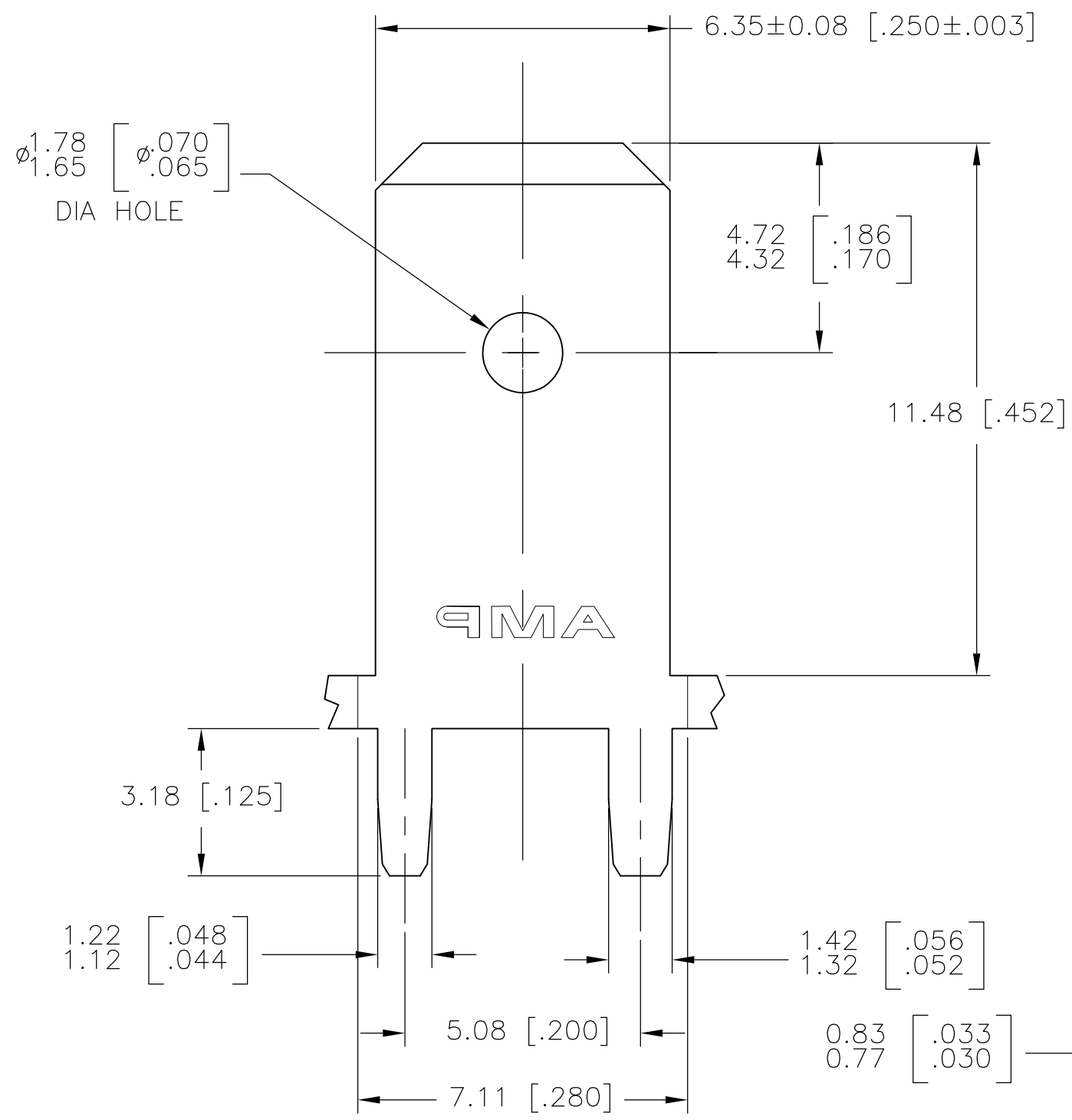
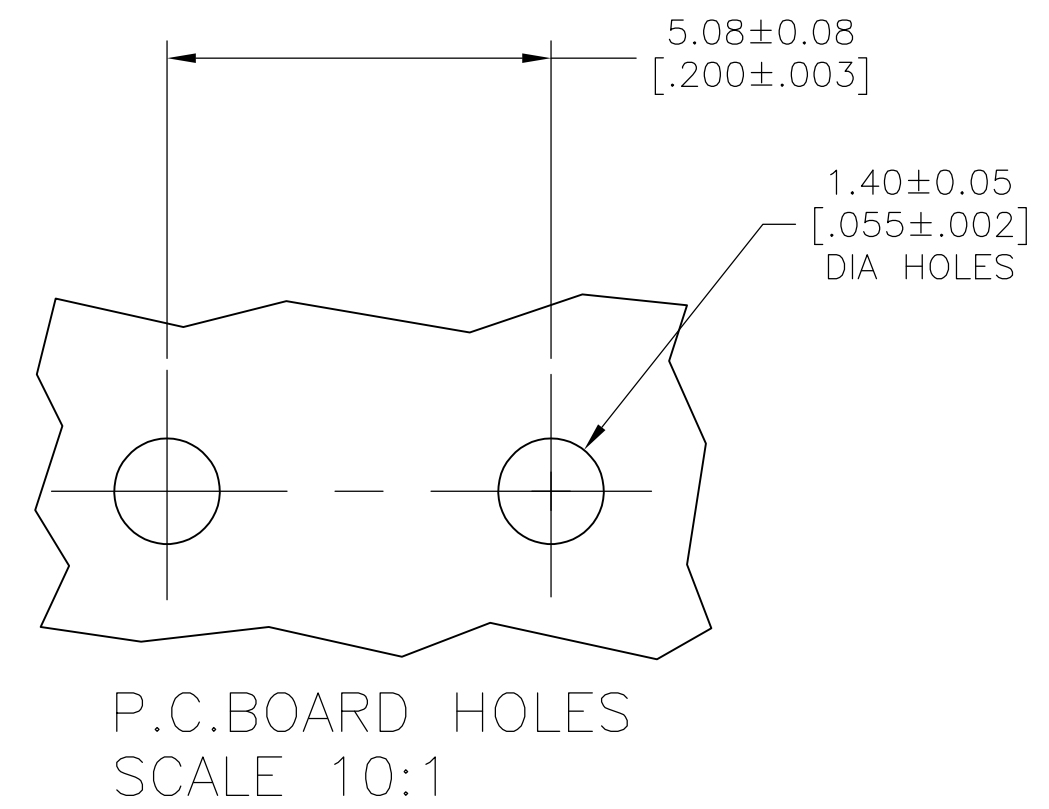


THIS DRAWING IS UNPUBLISHED. RELEASED FOR PUBLICATION  
 © COPYRIGHT - By - ALL RIGHTS RESERVED.

LOC	DIST	REVISIONS			
P	LTR	DESCRIPTION	DATE	DWN	APVD
AF	50				
	D	REVISED PER ECR-13-001204	24JUN13	KH	PD



1 SUPPLIED IN LOOSE PIECE  
 2 0.00381 [.000150] MIN TIN OVER  
 0.00254 [.000100] MIN THK COPPER.



63900-1  
 PART NUMBER

THIS DRAWING IS A CONTROLLED DOCUMENT.		DWN	JR RUTH	30NOV00	<b>STE</b> TE Connectivity	
DIMENSIONS: mm [INCHES]		CHK	MS FEHER	30NOV00		
TOLERANCES UNLESS OTHERWISE SPECIFIED:		APVD	G PORTA	30NOV00	NAME	
0 PLC ± -		PRODUCT SPEC	TAB, FASTON, PC BOARD, 6.35 [.250] SERIES			
1 PLC ± -		APPLICATION SPEC	SIZE	CAGE CODE	DRAWING NO	RESTRICTED TO
2 PLC ± 0.25 [.010]		FINISH	A3 00779 C-63900			
3 PLC ± -		MATERIAL	CUSTOMER DRAWING			SCALE
4 PLC ± -		BRASS	8:1			SHEET
ANGLES ± -		FINISH	1 OF 1			REV
TIN OVER COPPER		2	D			